

Catalog 2019-2020: Bachelor of Information & Communication Technology

Requirements for Junior Standing in ICT

1. The following ICT Major specific requirements or their equivalents:

- Computer Hardware
- MATH 121 College Algebra
- ICT 352 Java Programming for ICT (Su)

2. Typically, students with an AS or AAS degree enters the ICT Major having met the General Education Requirements (**30 credits**) of:

Area	Credits
• Area I: Public Speaking	3
• Area I: English Composition	4
• Area I: College Level Writing	3
• Area III: Laboratory Science	8
• Area IV: Social/Behavioral Sciences	3
• Area V: Humanities	3
• Area VI: Creative and Fine Arts	3

3. Electives (**33 credits**)

- Typically content courses from an AS or AAS program

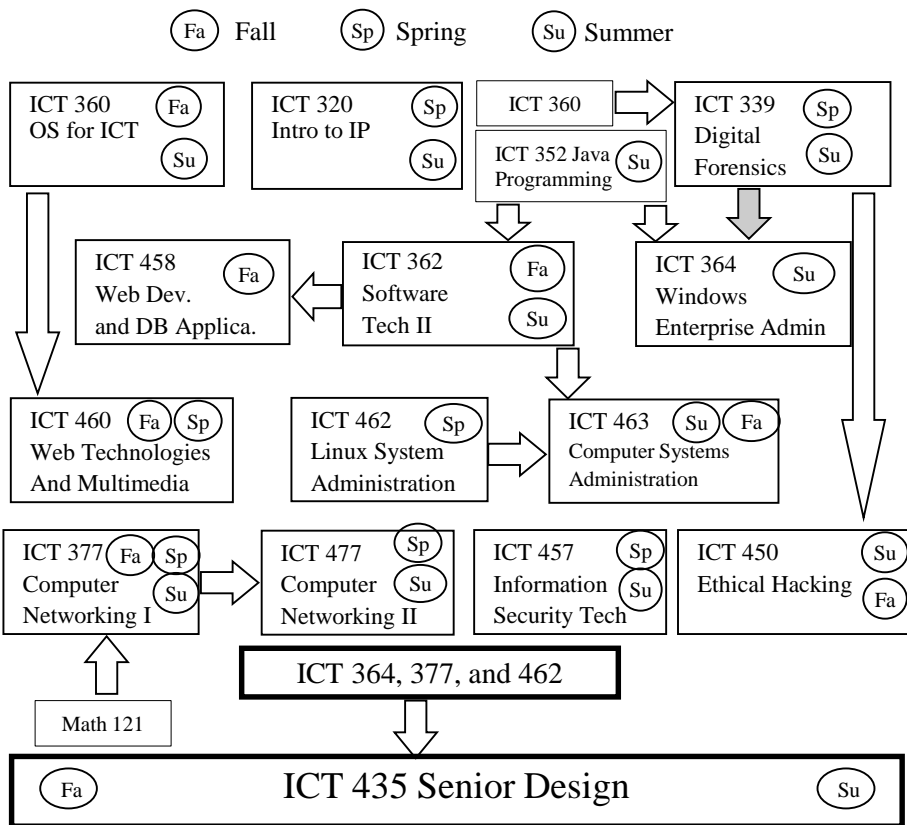
A student can start the program prior to finishing the junior standing requirements but must make arrangements to fulfill these prerequisites or their equivalents.

You will need the following items:

- At least 12G Ram, Access to a current Windows OS
- High speed internet
- NMSU E-mail account
- Webcam/Microphone
- Microsoft Office

ICT Upper Division Requirements

Semester offerings by the department



NMSU Viewing the wider world requirements

Viewing the Wider World 1 - Level 300 or above, 3 credits

- Outside Major and Department

Viewing the Wider World 2 - Level 300 or above, 3 credits

- Outside College of Engineering

Co/Prerequisites →

→ Prerequisites