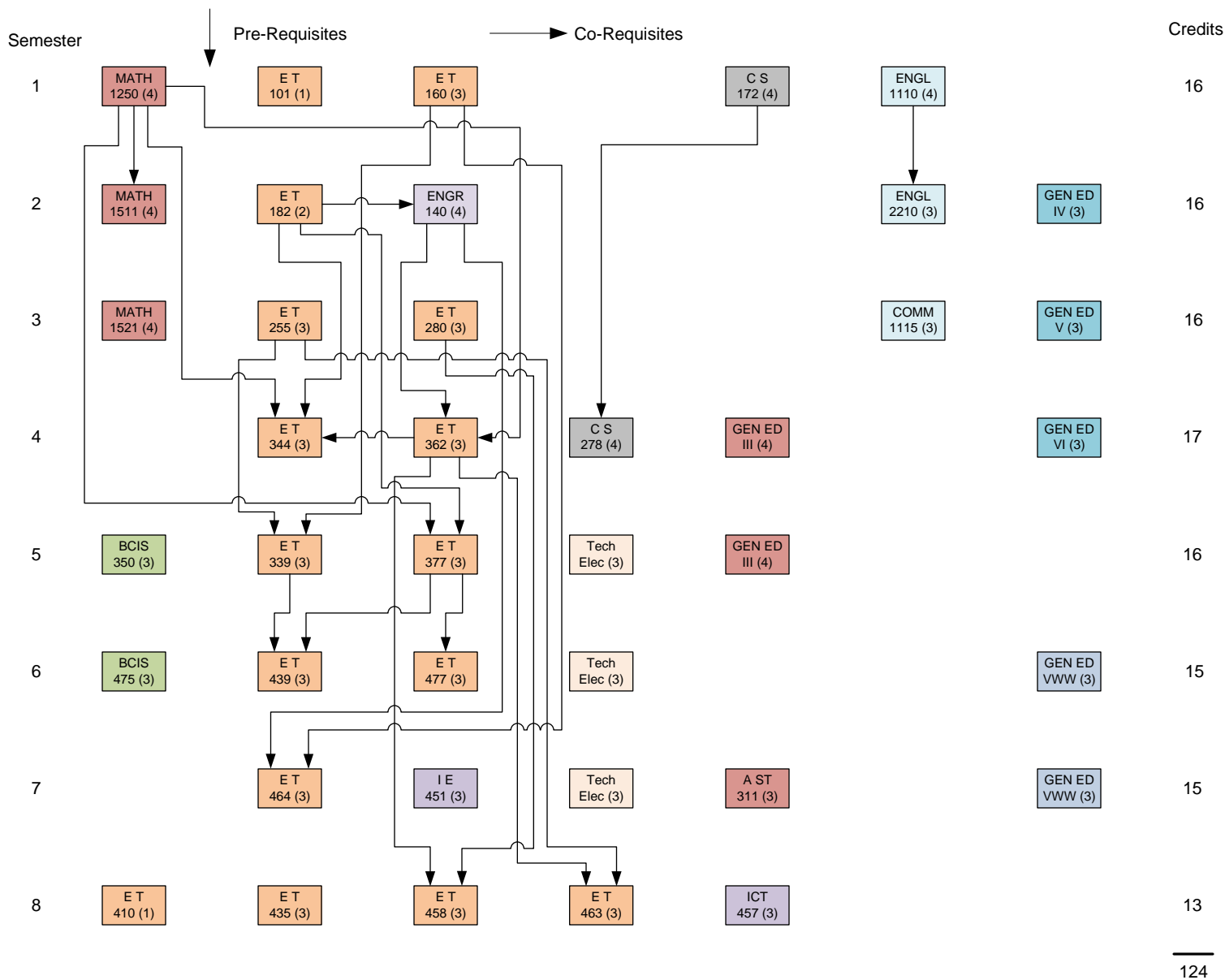


Information Engineering Technology (2023-2024)

Name _____

Student ID _____



Electives:

Technical Electives

